



HIGH PRECISION CURRENT MEASUREMENT SYSTEM



ICD-A // COMPACT CURRENT SENSING

ISAscale® shunt-based current sensor for automotive applications

Introduction

- Current range up to ± 500 A
- 16-bit analog-digital converter
- Communication based on CANbus 2.0
- CANbus data base container (DBC) available
- Outputrate: 1 KHz



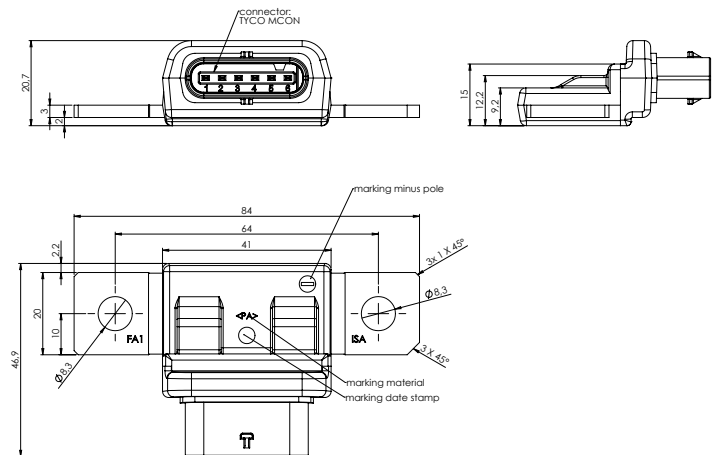
Applications

- Designed specifically for 12 V - 48 V systems
- UPS systems
- Energy storage systems
- Battery applications
- Fuel cells

Features

- Compact
- CANbus 2.0
- Measurement of own current consumption
- Sleep mode
- Measurement of internal temperature
- Measurement of supply voltage

Dimensions [mm]



Technical data

Description				Unit
Measurement range	± 100	± 300	± 500	A
Resolution		1		mA
Initial accuracy		± 0.1		% of reading
Total accuracy (-25 °C - 85 °C)		± 0.5		% of reading
Total accuracy (-40 °C - 105 °C)		± 0.8		% of reading