

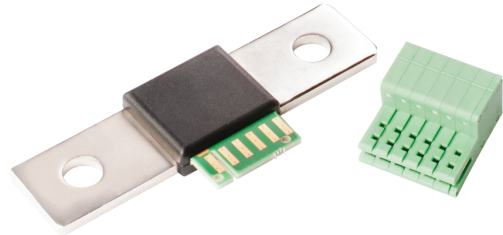


## ICD-C // COMPACT CURRENT SENSING

ISAscale® shunt-based current sensor for industrial applications

### Introduction

- Current range up to  $\pm 500$  A
- 16-bit analog-digital converter
- Communication based on CANbus 2.0
- CANbus data base container (DBC) available
- Output rate: 1 KHz



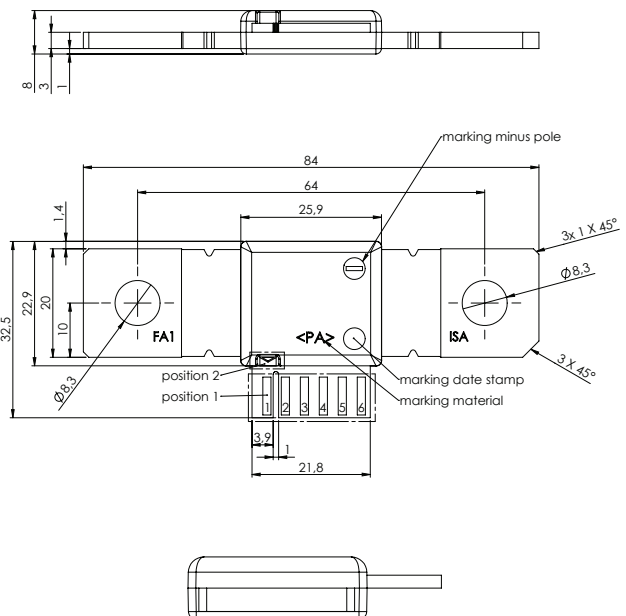
### Application

- UPS systems
- Energy storage systems
- Battery applications
- etc.

### Features

- Compact
- CANbus 2.0
- Measurement of own current consumption
- Sleep mode

### Dimensions [mm]



### Technical data

Description				Unit
Measurement range	$\pm 100$	$\pm 300$	$\pm 500$	A
Resolution	1	1	1	mA
Initial accuracy		$\pm 0.1$		% of reading
Total accuracy		$\pm 0.5$		% of reading
Operation temperature		$-40 \dots +105$		$^{\circ}\text{C}$