

HIGH PRECISION CURRENT MEASUREMENT SYSTEM



1,500V GALVANIC ISOLATION

IPC-MOD

ISAscale® phase current sensor for industrial applications

Introduction

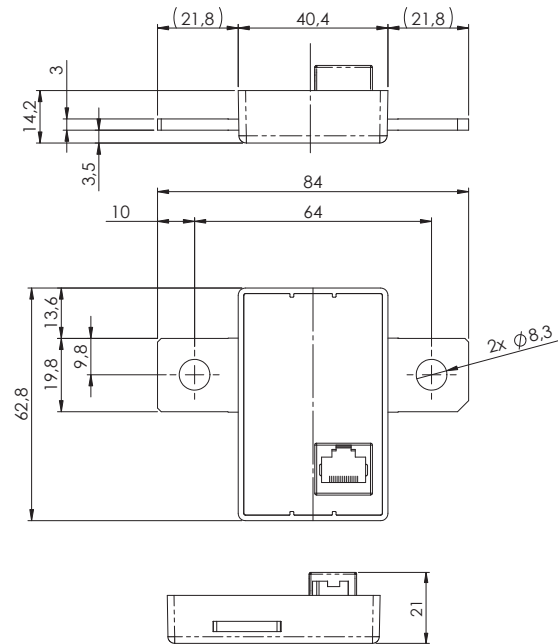
- Precision phase current sensor
- Full calibrated system
- Low offset
- High noise immunity
- Accuracy 0.5% (-40°C to 85°C) of reading
- Delta-Sigma-Modulator datastream which can be used for several analyses in customers control unit



Application

- Frequency inverter machine tools
- Frequency inverter wind turbines
- Central inverter PV open space plants
- Frequency inverter for electrical machines and drives
- UPS systems

Dimensions [mm]



Features

- Galvanic isolated (1.5 KV)
- Connector for industrial environment
- Environment protection degree IP 62
- Multiple use of digital datastream
- High long-term stability
- Five different measurement ranges with the same size

Technical data

Description						Unit	
Measurement range	±100	±300	±500	±1,000	±2,500	A	
Resolution	7	20	55	95	380	mA	
Initial accuracy						±0.5	% of reading
Total accuracy						±1.0	% of reading
Bandwith analog input filter 3dB						400	kHz
Offset						0.05	% of range