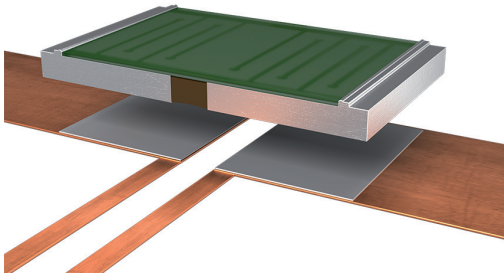


ISA-PLAN® // PRECISION RESISTORS

SMP-PW // Size 2010



Features

- 1 W permanent power at 130 °C
- Constant current up to 24 A (5 mΩm)
- Excellent long-term stability
- High pulse power rating
- Mounting: Reflow-, and IR-soldering
- *Detail specification ESCC 4001/027*
- SnPb tinned terminals

Applications

- Aerospace



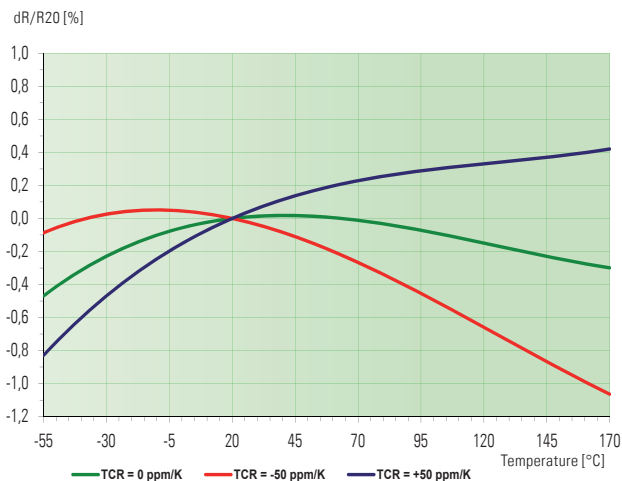
Technical data

Resistance values	Ωm	0.005 to 1 *	
Tolerance	%	0.5 / 1 *	
Temperature coefficient	ppm/K	<10 mΩm	≥10 mΩm
-55 °C to +22 °C		-140, +0	-100, +0
+22 °C to +170 °C		±100	±60
+22 °C to +60 °C		±100	±50
Applicable temperature range	°C	-55 to +170	
Power rating	W	1	
Stability (nominal load) deviation after 2000h, acc. to ESCC Generic Specification		±0.2% (T _K =130 °C)	

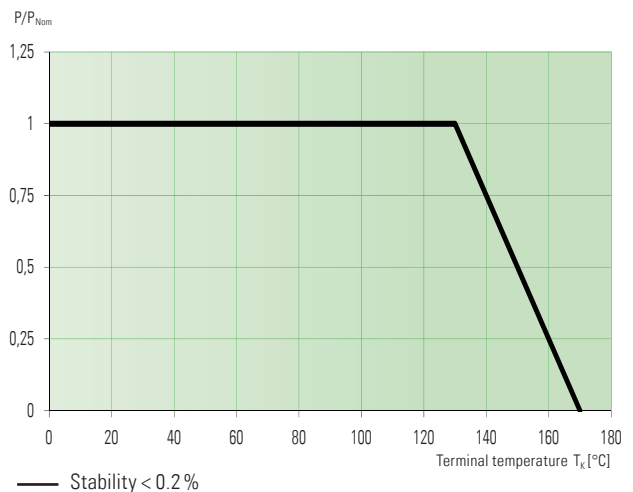
* For detailed information see table on page 2

T_K = terminal temperature

Temperature dependence of the electrical resistance of MANGANIN® resistors at +22 °C to +60 °C



Power derating curve





SMP-PW // Size 2010

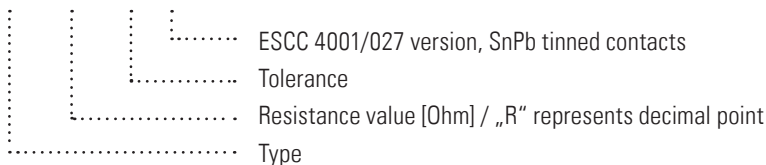
Available standard resistance values and tolerances *

Ordering code	ESCC component number
SMP-R010-0.5-PW	ESCC 400102701R01D
SMP-R010-1.0-PW	ESCC 400102701R01F
SMP-R015-1.0-PW	ESCC 400102701R015F
SMP-R018-1.0-PW	ESCC 400102701R018F
SMP-R020-1.0-PW	ESCC 400102701R02F
SMP-R025-1.0-PW	ESCC 400102701R025F
SMP-R027-0.5-PW	ESCC 400102701R027D
SMP-R027-1.0-PW	ESCC 400102701R027F
SMP-R033-1.0-PW	ESCC 400102701R033F
SMP-R039-1.0-PW	ESCC 400102701R039F
SMP-R047-0.5-PW	ESCC 400102701R047D
SMP-R047-1.0-PW	ESCC 400102701R047F
SMP-R050-0.5-PW	ESCC 400102701R05D
SMP-R050-1.0-PW	ESCC 400102701R05F
SMP-R056-0.5-PW	ESCC 400102701R056D
SMP-R056-1.0-PW	ESCC 400102701R056F
SMP-R082-1.0-PW	ESCC 400102701R082F
SMP-R100-0.5-PW	ESCC 400102701R1D
SMP-R100-1.0-PW	ESCC 400102701R1F
SMP-R180-1.0-PW	ESCC 400102701R18F
SMP-R200-0.5-PW	ESCC 400102701R2D
SMP-R200-1.0-PW	ESCC 400102701R2F
SMP-R220-0.5-PW	ESCC 400102701R22D
SMP-R220-1.0-PW	ESCC 400102701R22F
SMP-R330-0.5-PW	ESCC 400102701R33D
SMP-R330-1.0-PW	ESCC 400102701R33F
SMP-R390-0.5-PW	ESCC 400102701R39D
SMP-R390-1.0-PW	ESCC 400102701R39F
SMP-R470-0.5-PW	ESCC 400102701R47D
SMP-R470-1.0-PW	ESCC 400102701R47F
SMP-R500-0.5-PW	ESCC 400102701R5D
SMP-R560-1.0-PW	ESCC 400102701R56F
SMP-R820-1.0-PW	ESCC 400102701R82F
SMP-1R00-0.5-PW	ESCC 4001027011R0D
SMP-1R00-1.0-PW	ESCC 4001027011R0F

* other resistance values on request

Ordering code

SMP - R010 - 1.0 - PW





SMP-PW // Size 2010

Recommended solder profile

Reflow- and IR-soldering				
Temperature	°C	260	255	217
Time	sec	peak	40	90

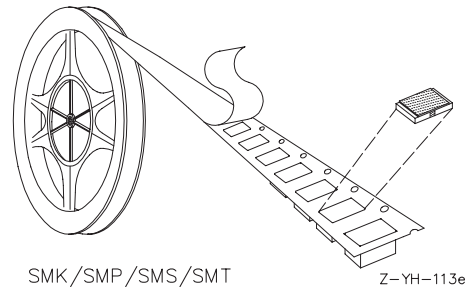
Packaging information

Specification	DIN EN 60286-3			
Tape width	mm	12		
Reel size	inch	13		

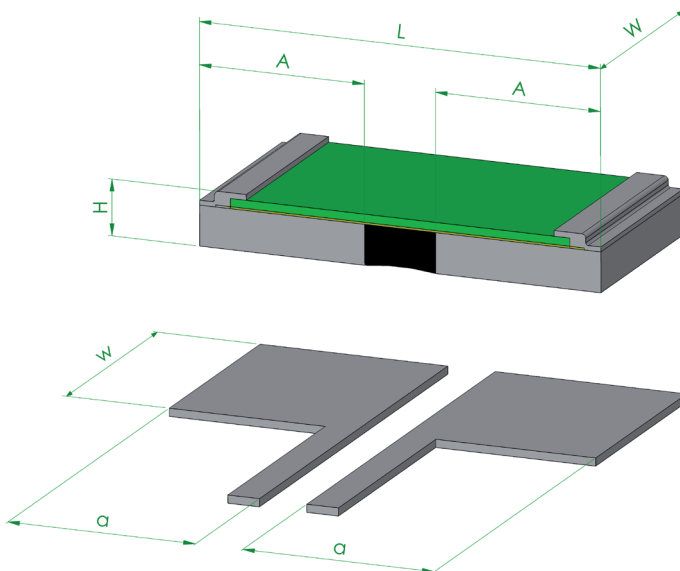
Form of delivery

Tape	pcs	up to 500		
Tape and reel	pcs	>500		

Slight deformations during soldering do not affect technical properties of the component.



Mechanical dimensions and pcb-layout proposal (Reflow-soldering) [mm] // Z-YE-651a



type:	L	W	A	H
SMP	5.08 ± 0.1	2.54 ± 0.1	(2.14)	0.7 ± 0.2

solder pad type:	l	w	a
SMP	5.4	2.8	2.4

Disclaimer // All products, product specifications and data are subject to change without notice.

The product specifications do not expand or otherwise modify Isabellenhütte's terms and conditions of sale, including but not limited to, the warranty expressed therein. Isabellenhütte makes no warranty, representation or guarantee other than as set forth in its terms and conditions of sale.

Information provided in datasheets and/or specifications may vary from actual results in different applications. Any statements made by Isabellenhütte regarding the suitability of products for certain types of applications are based on its knowledge of typical requirements that are often placed on its products. It is the customer's responsibility to validate that a particular product with the properties described in the product specification is suitable for use in the application intended.

No license, express or implied, or otherwise, to any intellectual property rights is granted by this document. Any and all liability arising out of the application or use of any product shall be as set forth in Isabellenhütte's terms and conditions of sale.

