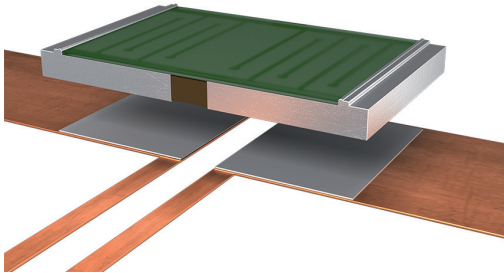


ISA-PLAN® // PRECISION RESISTORS

SMS-PW // Size 2512



Features

- 2 W permanent power at 120 °C
- Constant current up to 25 A (5 mOhm)
- Excellent long-term stability
- High pulse power rating
- Mounting: Reflow-, and IR-soldering
- *Detail specification ESCC 4001/027*
- SnPb tinned terminals

Applications

- Aerospace



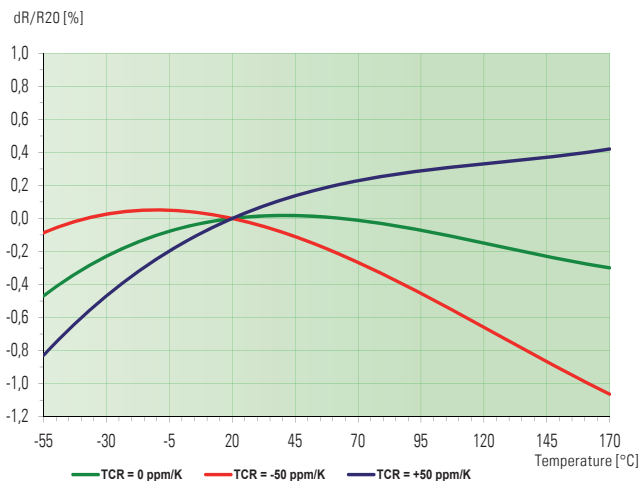
Technical data

Resistance values	Ohm	0.003 to 1 *	
Tolerance	%	0.5 / 1 *	
Temperature coefficient	ppm/K	<10 mOhm	≥10 mOhm
-55 °C to +22 °C		-140, +0	-100, +0
+22 °C to +170 °C		±100	±60
+22 °C to +60 °C		±100	±50
Applicable temperature range	°C	-55 to +170	
Power rating	W	2	
Stability (nominal load) deviation after 2000h, acc. to ESCC Generic Specification		±0.2% (T _K =120 °C)	

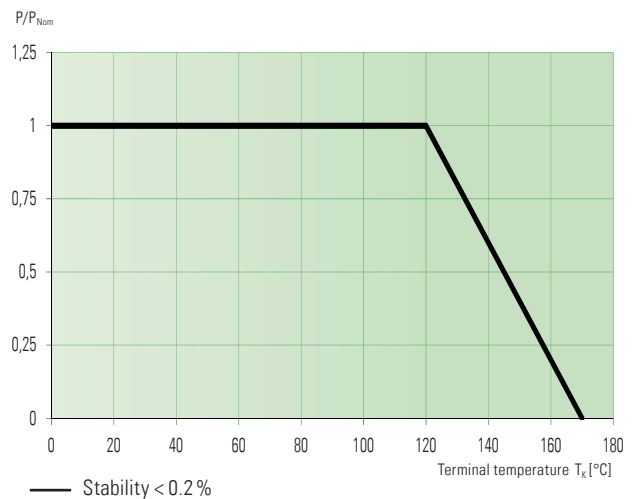
* For detailed information see table on page 2

T_K = terminal temperature

Temperature dependence of the electrical resistance of MANGANIN® resistors at +22 °C to +60 °C



Power derating curve





SMS-PW // Size 2512

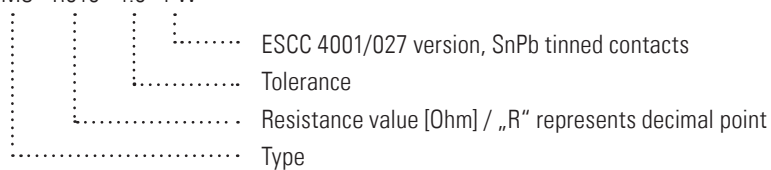
Available standard resistance values and tolerances *

Ordering code	ESCC component number	Ordering code	ESCC component number
SMS-R005-1.0-PW	ESCC 400102705R005F	SMS-R100-0.5-PW	ESCC 400102702R1D
SMS-R008-0.5-PW	ESCC 400102705R008D	SMS-R100-1.0-PW	ESCC 400102702R1F
SMS-R010-0.5-PW	ESCC 400102702R01D	SMS-R120-1.0-PW	ESCC 400102702R12F
SMS-R010-1.0-PW	ESCC 400102702R01F	SMS-R150-0.5-PW	ESCC 400102702R15D
SMS-R015-0.5-PW	ESCC 400102702R015D	SMS-R150-1.0-PW	ESCC 400102702R15F
SMS-R015-1.0-PW	ESCC 400102702R015F	SMS-R180-0.5-PW	ESCC 400102702R18D
SMS-R020-1.0-PW	ESCC 400102702R02F	SMS-R180-1.0-PW	ESCC 400102702R18F
SMS-R022-1.0-PW	ESCC 400102702R022F	SMS-R200-1.0-PW	ESCC 400102702R2F
SMS-R027-0.5-PW	ESCC 400102702R027D	SMS-R220-0.5-PW	ESCC 400102702R22D
SMS-R027-1.0-PW	ESCC 400102702R027F	SMS-R220-1.0-PW	ESCC 400102702R22F
SMS-R033-0.5-PW	ESCC 400102702R033D	SMS-R330-0.5-PW	ESCC 400102702R33D
SMS-R033-1.0-PW	ESCC 400102702R033F	SMS-R330-1.0-PW	ESCC 400102702R33F
SMS-R040-1.0-PW	ESCC 400102702R04F	SMS-R390-1.0-PW	ESCC 400102702R39F
SMS-R047-1.0-PW	ESCC 400102702R047F	SMS-R470-1.0-PW	ESCC 400102702R47F
SMS-R050-0.5-PW	ESCC 400102702R05D	SMS-R500-1.0-PW	ESCC 400102702R5F
SMS-R050-1.0-PW	ESCC 400102702R05F	SMS-R560-1.0-PW	ESCC 400102702R56F
SMS-R056-1.0-PW	ESCC 400102702R056F	SMS-R680-0.5-PW	ESCC 400102702R68D
SMS-R068-0.5-PW	ESCC 400102702R068D	SMS-R680-1.0-PW	ESCC 400102702R68F
SMS-R068-1.0-PW	ESCC 400102702R068F	SMS-1R00-0.5-PW	ESCC 4001027021R0D
SMS-R082-0.5-PW	ESCC 400102702R082D	SMS-1R00-1.0-PW	ESCC 4001027021R0F

* other resistance values on request

Ordering code

SMS - R010 - 1.0 - PW





SMS-PW // Size 2512

Recommended solder profile

Reflow- and IR-soldering				
Temperature	°C	260	255	217
Time	sec	peak	40	90

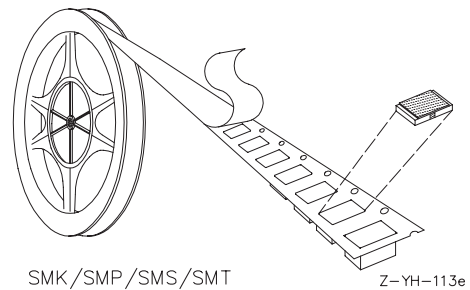
Packaging information

Specification	DIN EN 60286-3			
Tape width	mm	12		
Reel size	inch	13		

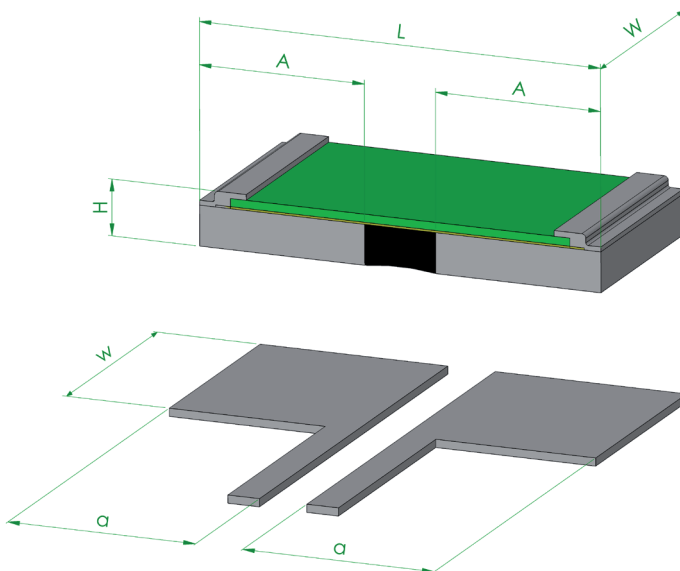
Form of delivery

Tape	pcs	up to 500		
Tape and reel	pcs	>500		

Slight deformations during soldering do not affect technical properties of the component.



Mechanical dimensions and pcb-layout proposal (Reflow-soldering) [mm] // Z-YE-660a



type:	L	W	H	A
SMS	6.35 ±0.2	3.05 ±0.1	0.8 ±0.2	2.725 ±0.4

solder pad type:	l	w	a
SMS	6.8	3.5	3.1

Disclaimer // All products, product specifications and data are subject to change without notice.

The product specifications do not expand or otherwise modify Isabellenhütte's terms and conditions of sale, including but not limited to, the warranty expressed therein. Isabellenhütte makes no warranty, representation or guarantee other than as set forth in its terms and conditions of sale.

Information provided in datasheets and/or specifications may vary from actual results in different applications. Any statements made by Isabellenhütte regarding the suitability of products for certain types of applications are based on its knowledge of typical requirements that are often placed on its products. It is the customer's responsibility to validate that a particular product with the properties described in the product specification is suitable for use in the application intended.

No license, express or implied, or otherwise, to any intellectual property rights is granted by this document. Any and all liability arising out of the application or use of any product shall be as set forth in Isabellenhütte's terms and conditions of sale.

