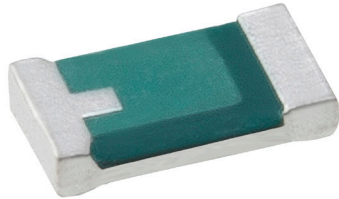




ISA-PLAN® // PRECISION RESISTORS



VMI-R000 // Size 0805



Features

- 0.25 W power rating at 170 °C
- Constant current up to 35 A (DC-current)
- Standard pad size (0805)
- High pulse power rating
- Mounting: Reflow-, and IR-soldering
- RoHS 2011/65/EU compliant



Applications

- Jumper
- Multiple usage of the layout

Technical data

| | | |
|------------------------------------|--------------|-------------|
| Resistance values | mOhm | <0.2 |
| Temperature coefficient (20-60 °C) | ppm/K | 3200 ±500 |
| Applicable temperature range | °C | -65 to +170 |
| Power rating | W | 0.25 |
| Inductance | nH | <1 |
| DC-current | A | 35 |

Ordering code

VMI - R000 - U / - G

- - U = blister tape / - G = paper tape
- Resistance value [Ohm] / "R" represents decimal point
- Type

Specification

| Parameters | Test conditions | Specified values |
|---------------------------------------|------------------------------------|-----------------------------------|
| Temperature Cycling | 2000 cycles (-55 °C to +150 °C) | 20 % ±0.2 mΩ |
| Low Temperature Storage and Operation | -65 °C for 250 h | ±10 % |
| Resistance to Soldering Heat | 260 °C for 10 sec / 8h steam aging | 10 % ±0.1 mΩ (3 x reflow profile) |
| Operational Life | 2000 h, TK max at nominal load | 20 % ±0.2 mΩ |
| High Temperature Exposure | 2000 h / 170 °C | 20 % ±0.2 mΩ |
| Bias Humidity | +85 °C, 85 r.F., 1000 h | 10 % |



VMI-R000 // Size 0805

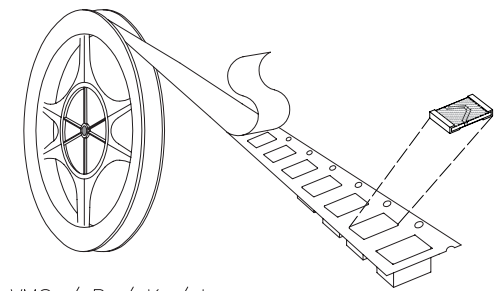
Recommended solder profile

Reflow- and IR-soldering

| | | | | |
|-------------|-----|------|-----|-----|
| Temperature | °C | 260 | 255 | 217 |
| Time | sec | peak | 40 | 90 |

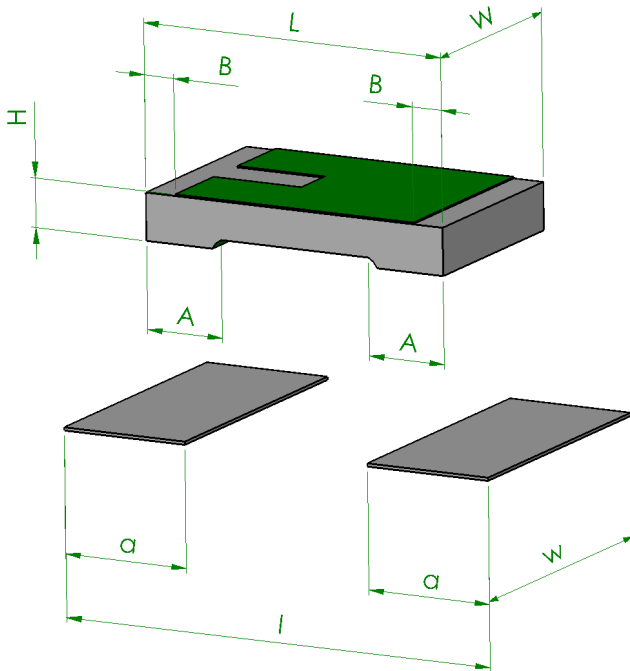
Tape and reel information

| | | | | |
|----------------|----------------|-------|--|--|
| Specification | DIN EN 60286-3 | | | |
| Tape width | mm | 8 | | |
| Reel size | inch | 13 | | |
| Parts per reel | pcs | 15000 | | |



VMS / P / K / I

Mechanical dimensions and pcb-layout proposal (Reflow-soldering) [mm]



| type: | L | W | H | A | B |
|----------|------------|------------|-----------|-----------|----------------|
| VMI 00hm | 2.03 ±0.15 | 1.27 ±0.15 | 0.3 ±0.15 | 0.45 ±0.1 | 0.2 +0.15/-0.1 |

| solder pad type: | l | w | a |
|------------------|-----|-----|------|
| VMI 00hm | 2.9 | 1.8 | 0.82 |

Disclaimer // All products, product specifications and data are subject to change without notice.

The product specifications do not expand or otherwise modify Isabellenhütte's terms and conditions of sale, including but not limited to, the warranty expressed therein. Isabellenhütte makes no warranty, representation or guarantee other than as set forth in its terms and conditions of sale. Information provided in datasheets and/or specifications may vary from actual results in different applications. Any statements made by Isabellenhütte regarding the suitability of products for certain types of applications are based on its knowledge of typical requirements that are often placed on its products. It is the customer's responsibility to validate that a particular product with the properties described in the product specification is suitable for use in the application intended. No license, express or implied, or otherwise, to any intellectual property rights is granted by this document. Any and all liability arising out of the application or use of any product shall be as set forth in Isabellenhütte's terms and conditions of sale.

